

## AT&T FiberLine

### Fiber Optic Cords and Pigtails

#### Fiber Optic Cords and Pigtails P/N System

This page shows all the available combinations of AT&T fiber-optic cords and pigtails. The following steps should be followed to define the exact product needed.

**Notes:**

- All AT&T fiber-optic cords and pigtails are halogen-free, low smoke and flame retardant (LSOH).
- The default cable diameters are indicated in the following sample catalog pages. Other options available.
- The default formation of all duplex cords is ZIP (FIG-8). Other options available.
- All cords shown in the catalog are standard-loss type. Low-loss cords are available upon request.

The generic P/N of AT&T fiber-optic cords and pigtails has the following format:



- Replace the **R** with the product type needed.
- Replace the **FF** with the relevant **Fiber Code** selected from page **B.6**.
- Replace the **A** with the relevant **Connector Code** selected from page **B.4.1** for one end of the cord.
- Replace the **B** with the relevant **Connector Code** selected from page **B.4.1** for the other end of the cord.

**Note:** In pigtails **B=0**.

- Replace the **LLL** with the required length in dm.

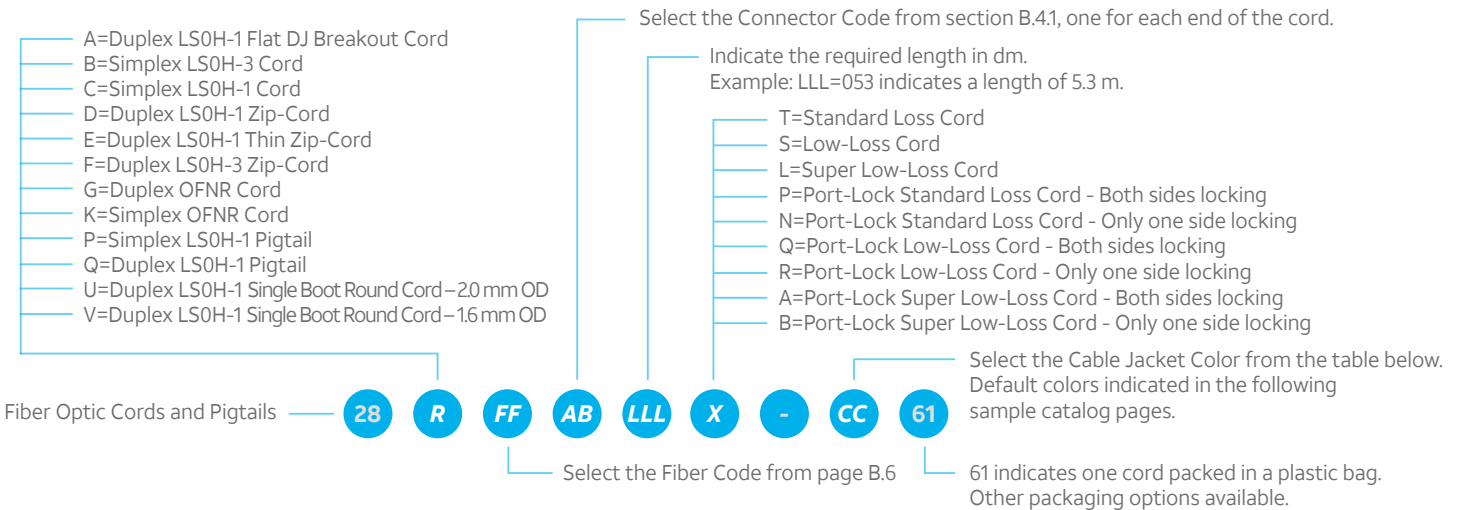
**Examples:**

053 = 5.3 m cord length.  
185 = 18.5 m cord length.

**Note:** Default lengths are indicated in the following sample catalog pages.

- Replace the **X** with the required type
- Replace the **CC** with the required **Cable Jacket Color** from the table below.

**Note:** Default colors are indicated in the following sample catalog pages.



#### Jacket Colors (CC)

Code	Color	RAL	Code	Color	RAL	Code	Color	RAL
BL	Blue	5015	GY	ATT Gray	9002	BK	Black	9004
OR	Orange	2000	GL	Office Gray	7035	YL	Yellow	1021
GN	Green	6024	WT	White	9003	PU	Purple	4005
BN	Brown	8011	RD	Red	3000	TQ	Turquoise	5018