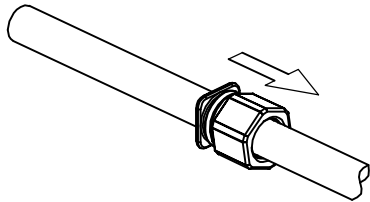


AT&T CopperLine Installation Manual

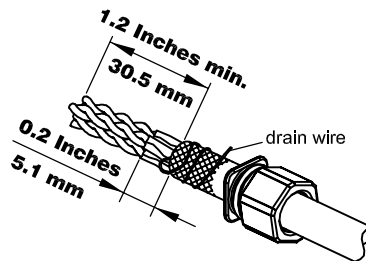
Shielded Field-Termination Plugs

AT&T P/N 15Q064V008F-MK61 & 15Q6A4V008F-MK61

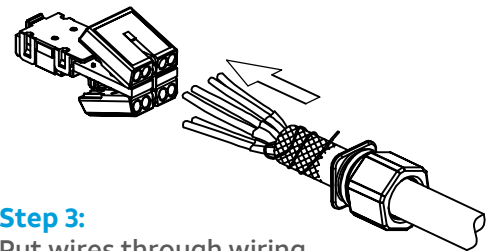
Assembly instructions



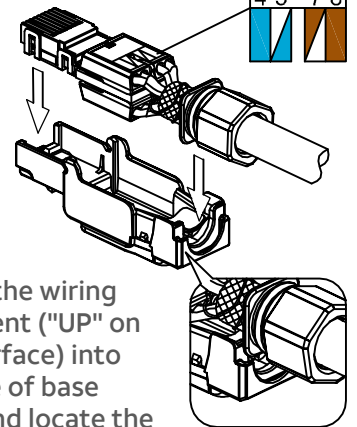
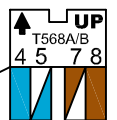
Step 1:
Put cable through the Nut.
(OD:6~8mm;23~26AWG)



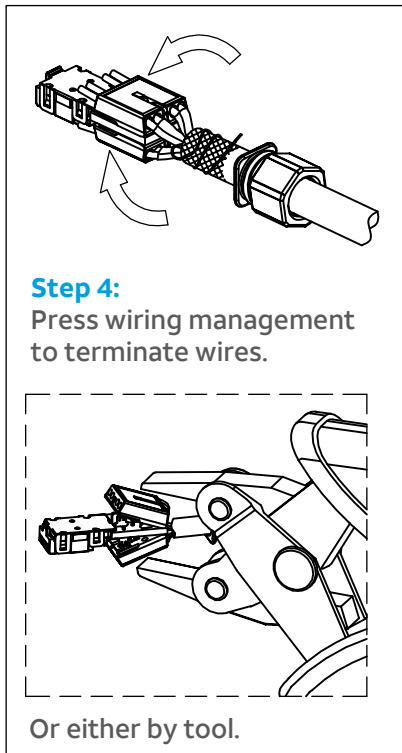
Step 2:
1) Strip off cable jacket for at least 1.2 Inches and retain a 0.2 Inches foil from cable end.
2) Back cover the braid then wrap the drain wire on it.



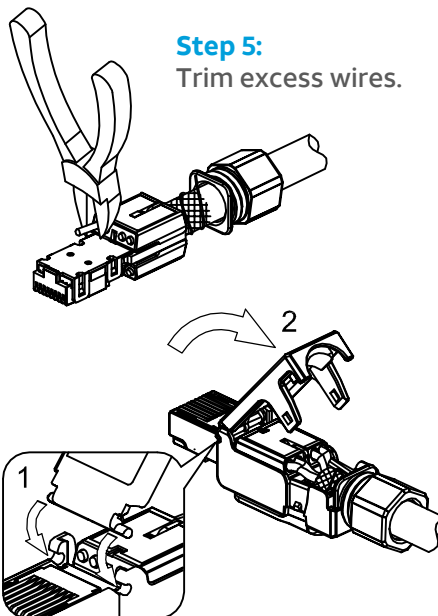
Step 3:
Put wires through wiring management in accordance with wiring color code.



Step 6:
Assemble the wiring management ("UP" on the top surface) into the groove of base housing, and locate the nut in the indicated slot.

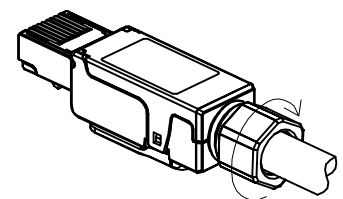


Step 4:
Press wiring management to terminate wires.



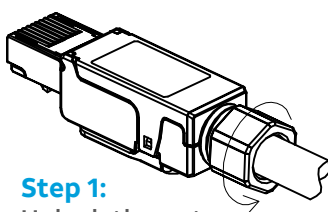
Step 5:
Trim excess wires.

Step 7:
1) Put cover into revolving groove.
2) Then press the cover to engage with base housing.



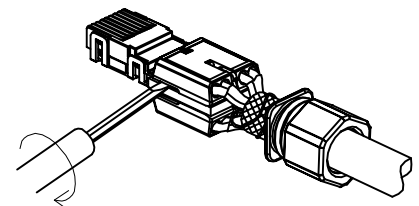
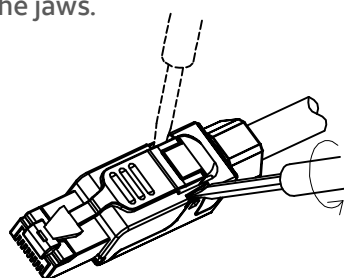
Step 8:
Lock and tight the nut.

Disassembly Instruction:



Step 1:
Unlock the nut.

Step 2:
Insert the slotted screwdriver into the slot and rotate to open the jaws.



Step 3:
Insert the slotted screwdriver into the slot and rotate to open the wiring management.